

*Our CROSSBAR adds more
value to your project*

STANDARD
crossbar

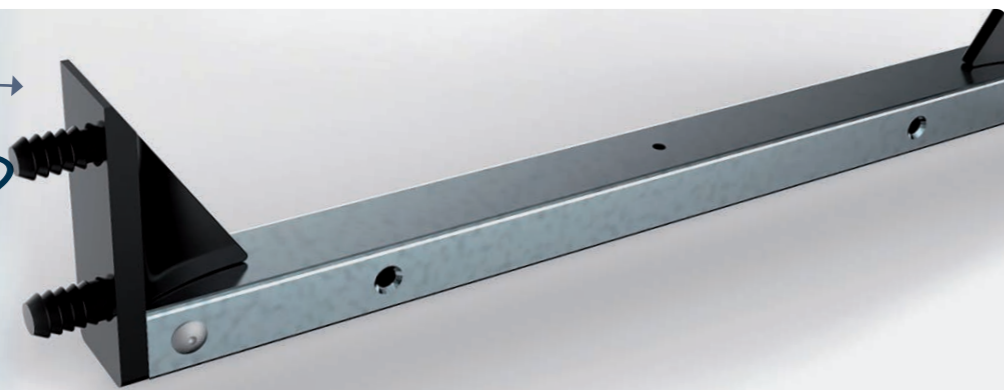
VENTILATION
crossbar

ANGLE
crossbar

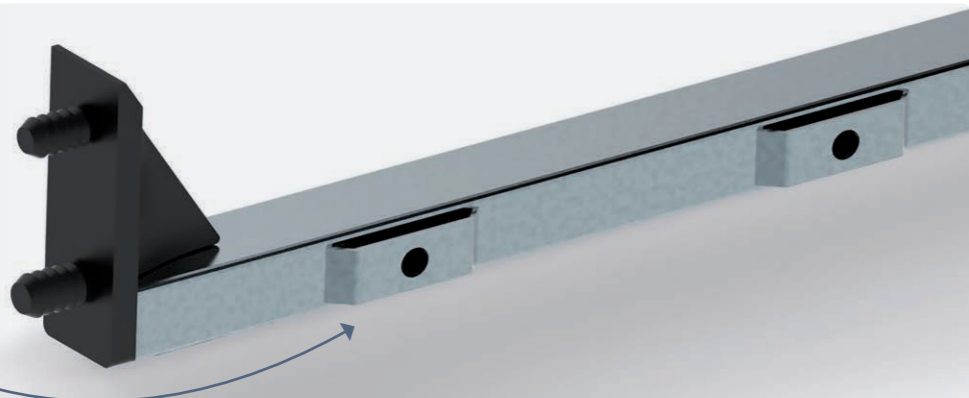
FALSE DRAWER
crossbar



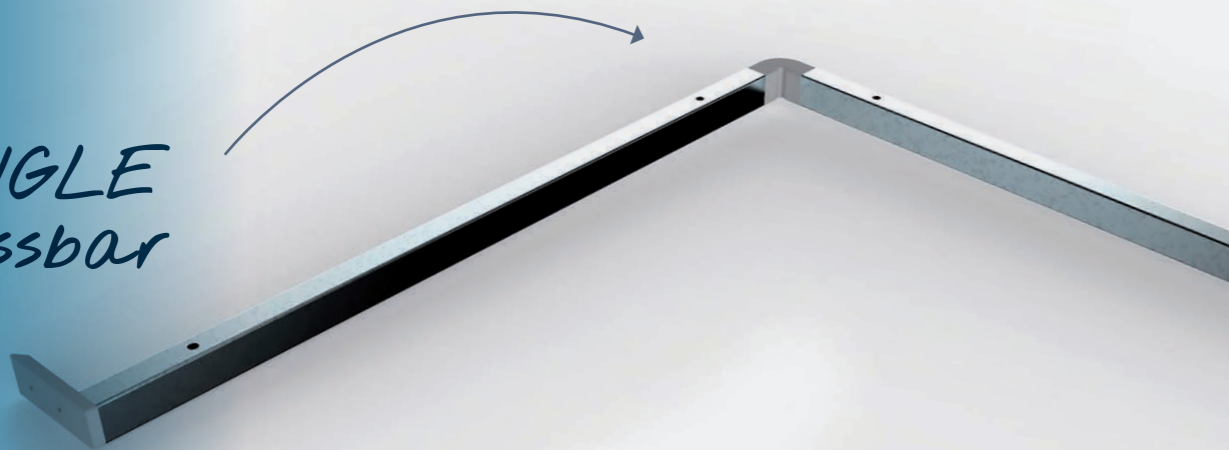
STANDARD
crossbar



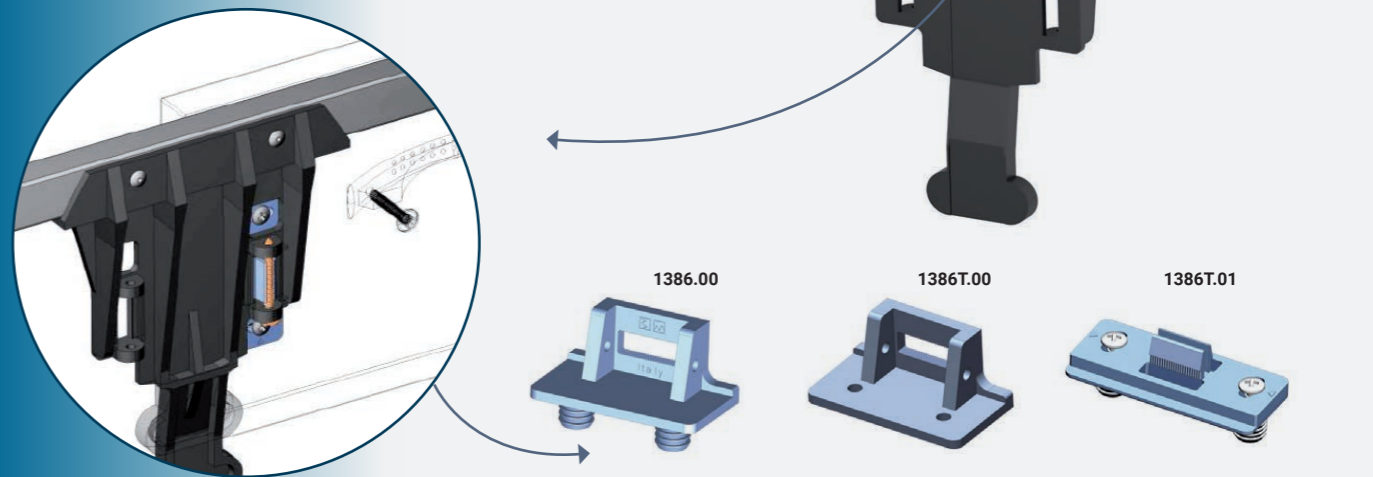
VENTILATION
crossbar



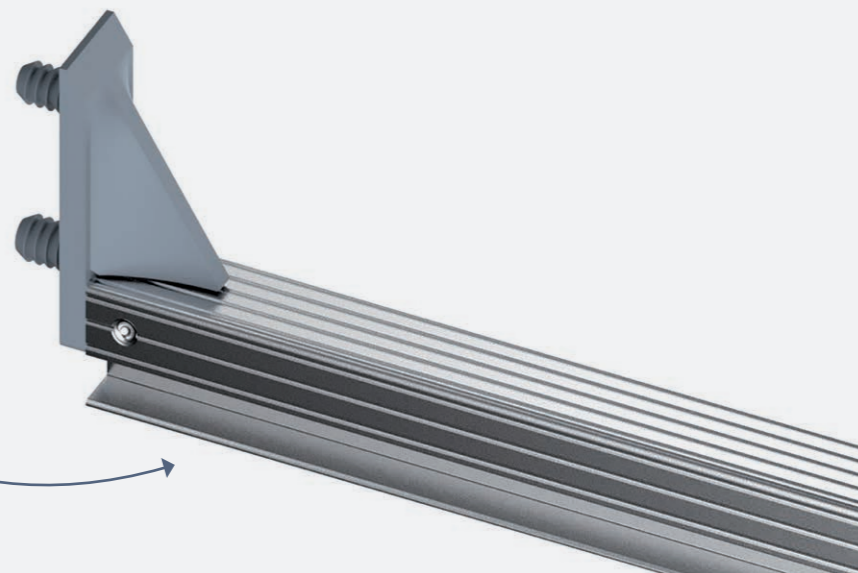
ANGLE
crossbar



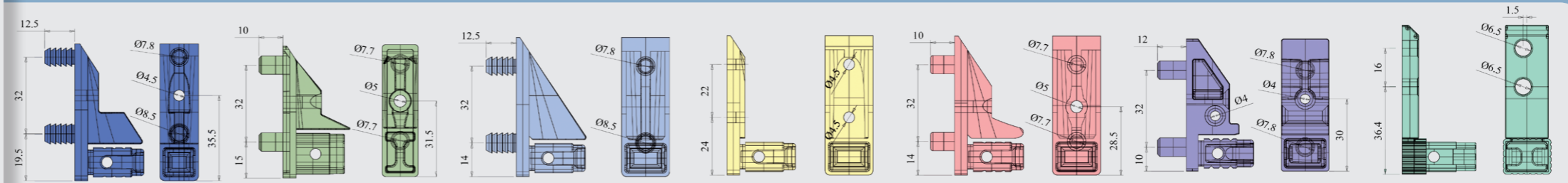
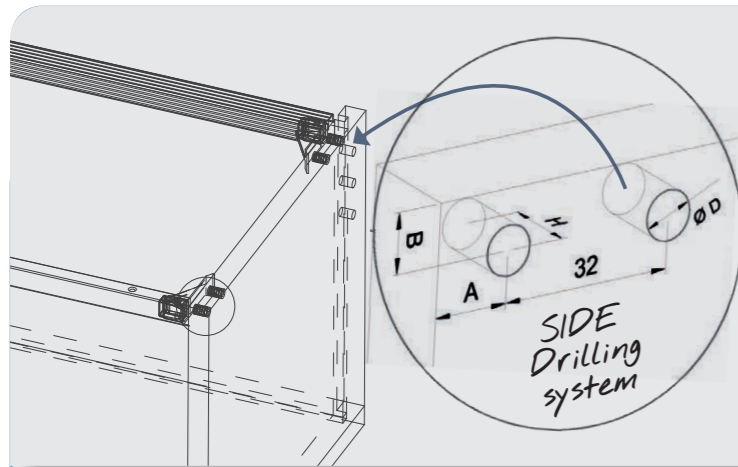
FALSE DRAWER
crossbar



BACK
crossbar



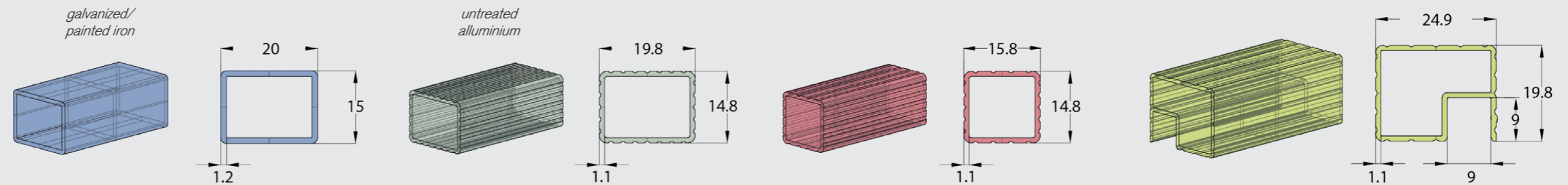
SIDE CUP characteristics



■ Iron ■ Aluminium

Item	3021	1480 / 1477	1468 / 1476	3016 / 3020	3019 / 3018	3049	3030
ØD	8	8	8	//	8	8	//
H	12,5	10,5	12,5	//	10,5	12,5	//
A	19,7	15,2	14,2	//	14,2	10,2	//
B	8	8	10,5	//	10,5	10,5	//
PROFILE	15,8X14,8	15X20	20X15	20X15	20X15	24,9X19,8	19,8X14,8
MOUNTING	Pressure screw	Screw	Pressure	Screw	Screw	Pressure screw	Screw

PROFILE characteristics



POSSIBILITY OF CUSTOMIZING SIDES AND PROFILES



Via Leopardi, 15 - 20836 Briosco fraz. Capriano
(Monza Brianza) ITALY
tel +39 0362 998718 - fax +39 0362 998728
commerciale@bmsrl.net - www.bmsrl.net